

# CONTROL CENTERS

## SPECIFICATIONS

- Pre-engineered models for resistive loads up to 192 amps
- NEMA 12 or 4 enclosure
- Built to NEC standards
- U.L. listed components
- 208 to 600 volts



## DESCRIPTION

HEAT, Inc. electric process control centers are pre-engineered, pre-wired, control assemblies designed to operate as a temperature activated power controlling device for any type of resistive heating load. All control centers are built to the National Electric Code utilizing U.L. listed components. Each control center includes: indicating temperature controller, over temperature controller, main disconnect switch, individually fused contactor circuits, control voltage transformer, power indicating lights, and heater selector switches all mounted in a NEMA 12 or 4 enclosure. Each control center is factory tested before shipment. In addition to our standard control centers, we specialize in the custom design of temperature control panels.

## FEATURES

- Handle operated, fused power disconnect
- Individually fused branch circuits
- 120 volt, fused control voltage transformer
- Thermocouple sensing temperature controller
- Door mounted heater selector switch
- Lockable thru-door handle
- Pre-set high limit controller
- Sensor break protection
- Terminal strip



## HEAT EXCHANGE AND TRANSFER, INC.

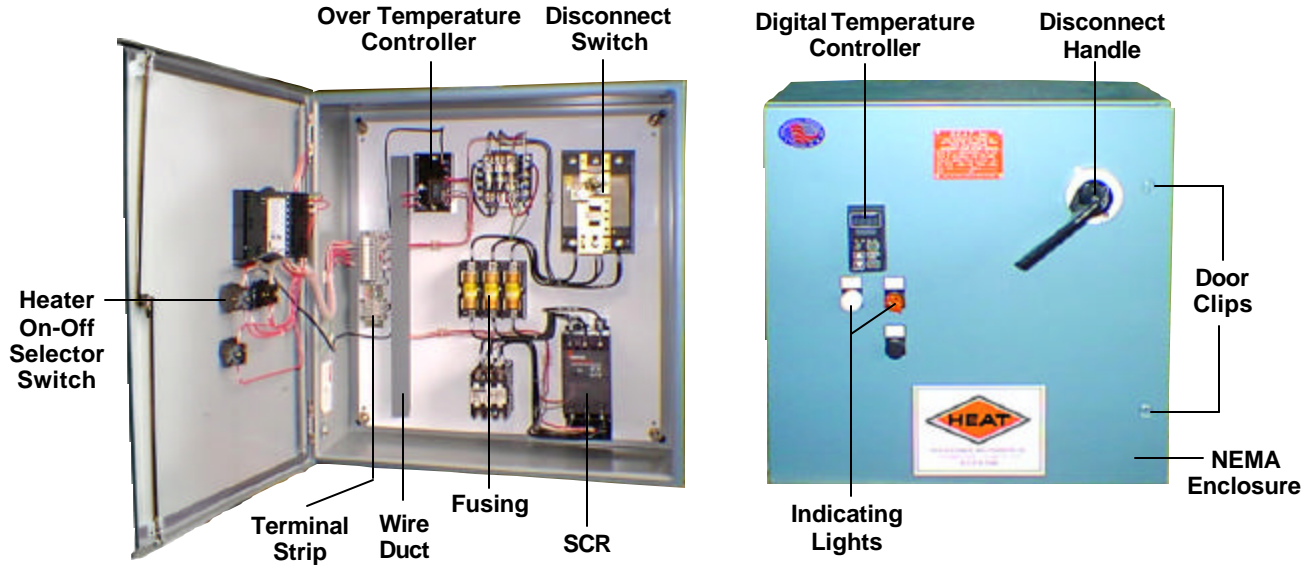
500 Superior Street • Carnegie, PA 15106

Phone 412-276-3388 • Fax 412-276-3397

E-mail: [sales@heat-inc.com](mailto:sales@heat-inc.com) • Web: [www.heat-inc.com](http://www.heat-inc.com)

# CONTROL CENTERS

## SCR CONTROL PANEL FEATURES



## STANDARD MODELS

When ordering, use the 243 extension on the model number for 240 volt, 3 phase power supply and the 483 extension for 480 volt, 3 phase power supply. For example: CC12-124-243 or CC12-124-483.

	Model Number	Maximum Amps	Maximum kW on 240V	Maximum kW on 480V	Number of Circuits	Enclosures		
						L	W	D
NEMA 12 or 4	CC12 or CC04-124-243/483	24	10	20	1	24"	24"	8"
	CC12 or CC04-136-243/483	36	15	30	1	24"	24"	8"
	CC12 or CC04-148-243/483	48	20	40	1	24"	24"	8"
	CC12 or CC04-224-243/483	48	20	40	2	24"	24"	8"
	CC12 or CC04-236-243/483	72	30	60	2	24"	24"	8"
	CC12 or CC04-248-243/483	96	40	80	2	24"	24"	8"
	CC12 or CC04-336-243/483	72	30	60	3	36"	30"	12"
	CC12 or CC04-348-243/483	105	45	90	3	36"	30"	12"
	CC12 or CC04-448-243/483	144	60	1120	3	36"	30"	12"
	CC12 or CC04-548-243/483	96	40	80	4	42"	36"	12"
CC12 or CC04-648-243/483	144	60	120	4	42"	36"	12"	

Note: Use CC12 prefix for NEMA 12 construction and CC04 for NEMA 4

## CUSTOM OPTIONS

- Dry Contacts and Interlocks
- Motor Starter Circuits
- Special Voltages
- Fans, Filters, Louvers
- Explosion Resistant Enclosures
- Air Purged Enclosures
- Special Temperature Controllers
- Remote Inputs, Outputs
- Alarm Indicators
- Local/Remote Switch
- AMP Meters
- Monitors, Timers, Recorders
- Window Kits
- Special Tagging
- Enclosure Lights
- Enclosure Heaters